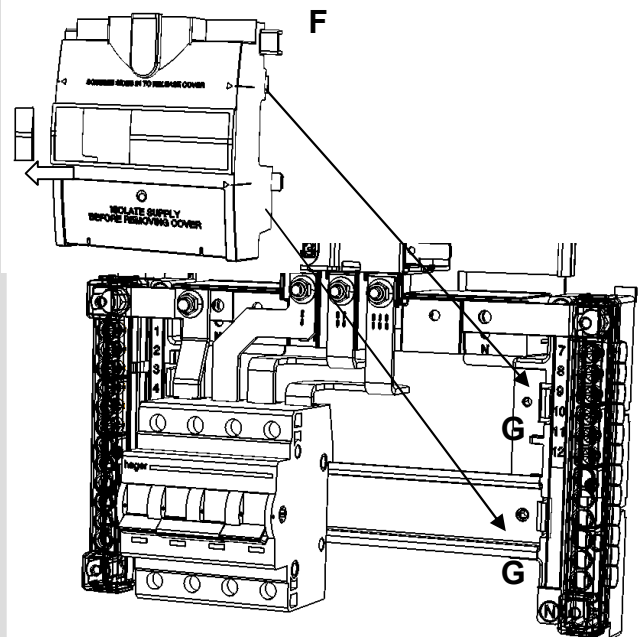
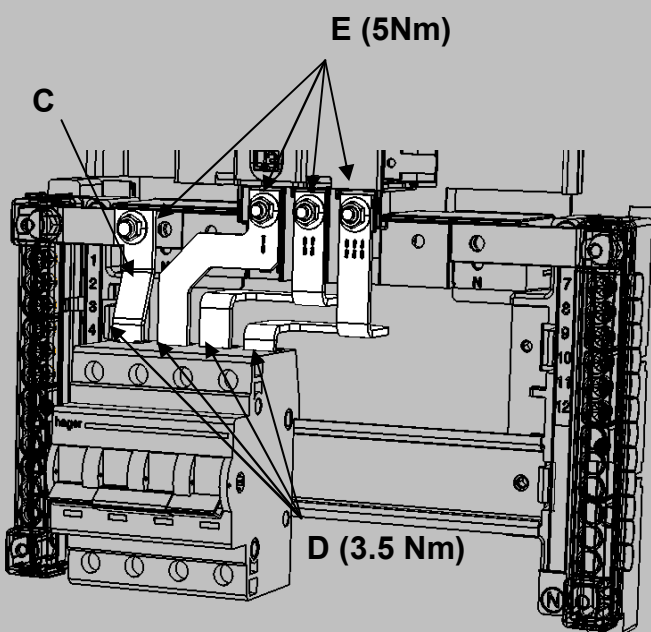
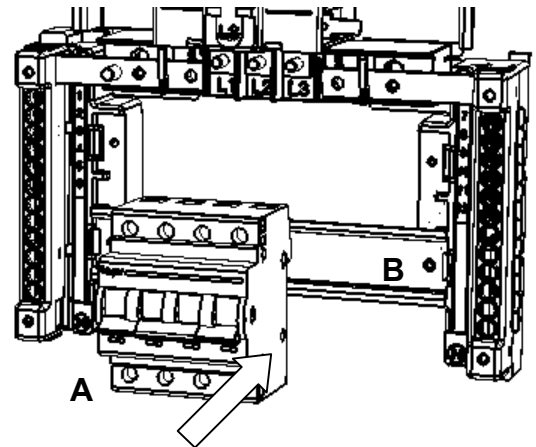
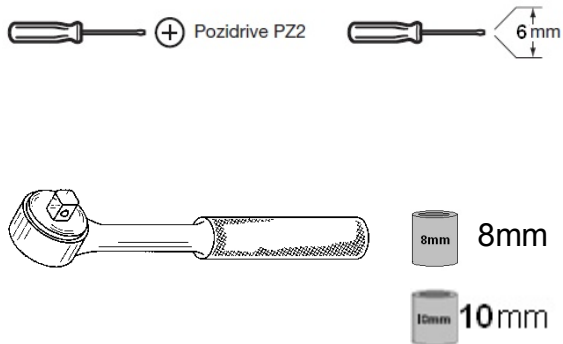


## Invicta 3 JK11004S / JK11254S Instruction leaflet for fitting incomer

Locate the incomer switch (A) onto the left side of the DIN rail (B), and fit the L1, L2 and L3 incomer links. Ensure that the links teeth are within the top terminal of the incomer switch.

Ensure the cranked neutral link (C) is inserted into the left most termination on the incomer switch and use the **M6** carp nut to secure to the neutral cross link. Use the **M5** carp nuts for the phase connections

Ensure that all terminal connections on incomer switch (D) connections are tightened to **3.5Nm**. . Ensure the connections on the busbar links (E) are tightened to **5Nm** (3 x Phase and neutral) After terminating incoming cables fix the main incomer shroud (F) to the clip in fixing points (G). Remove additional breakout left of the shroud to ensure the switch protrudes through the main incomer shroud.



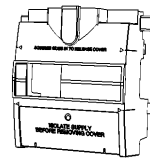
# JK11004S/ JK11254S

## Invicta 3

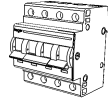
Incomer isolator kit

Qty	Description	
-----	-------------	--

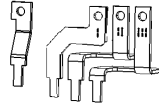
1	Terminal shield	
---	-----------------	--



1	SB499 100A 4P modular switch and DIN rail	
---	---	---



4	Incomer L1, L2, L3 & N (to fit M6 stud link)	
---	--	---



3	M5 carp nuts	
---	--------------	---



1	M6 carp nut	
---	-------------	---



### Hager Ltd

Hortonwood 50  
Telford  
Shropshire  
TF7 7FT

National Sales Hotline 01952 675612  
National Tech Support helpline 01952 675689

Website: [www.hagergroup.co.uk](http://www.hagergroup.co.uk)  
Email us @: [info@hager.co.uk](mailto:info@hager.co.uk)

ZDO681 issue 7